

MT606TV3

Windows CE touch panel computer
with 5.6" TFT display



【Introduction】

The MT606TV3 is a miniature and compact platform that has no redundant functions. Its RISC kernel, the CIRRUS LOGIC EP9315 200MHz processor design with a memory management unit (MMU), that supports Windows CE. The ARM920T's 32-bit microcontroller architecture, with a five-stage pipeline, delivers impressive performance at very low power.

The EP9315 includes a hardware graphics acceleration engine that improves graphic performance by handling block copy, block fill and hardware line draw operations. The graphics accelerator is used in the system to off load graphics operations from the processor.

◆ Specifications

- **Construction:** plastic molding housing
- **Display:** 5.6" color TFT LCD
- **CPU and core logic:** CIRRUS LOGIC® EP9315 200MHz ARM920T core processor
- **DRAM:** 64 MB on board
- **Storage:** 32 MB flash memory on board, 1 CompactFlash™ card slot.
- **I/O:** 3 serial ports: Com1: RS-232/RS-485 2w/4w, Com2: RS-232, Com3: RS-232/RS-485 2w
1 Ethernet port (10/100Base-T)
2 USB 2.0 full-speed host (12Mbps)
- **Sound output:** 20-bits Stereo output
- **RTC:** Built-in
- **Power input:** 12~24 V_{DC}, 410 mA@12VDC~220 mA@24VDC
- **Dimension (W x H x D):** 204 x 150 x 48mm
- **Weight:** 0.85kg

◆ Features

- 5.6" 320x234 TFT LCD
- CIRRUS LOGIC® EP9315 200MHz ARM920T core processor
- Fan-less cooling system
- Built-in flash memory and Windows CE OS inside
- NEMA4/IP65 compliant front panel
- One CompactFlash™ slot
- LED Back Light

◆ LCD Display

Display type	TFT LCD
Display size (diagonal)	5.6"
Max colors	65536
Resolution	320 x 234
Pixel pitch (HxV, mm)	0.362 x 0.118
Viewing angle (°)	45/65/65/65 (T/B/R/L)
Luminance (cd/m ²)	300
Backlight	LED
Contrast ratio	300:1

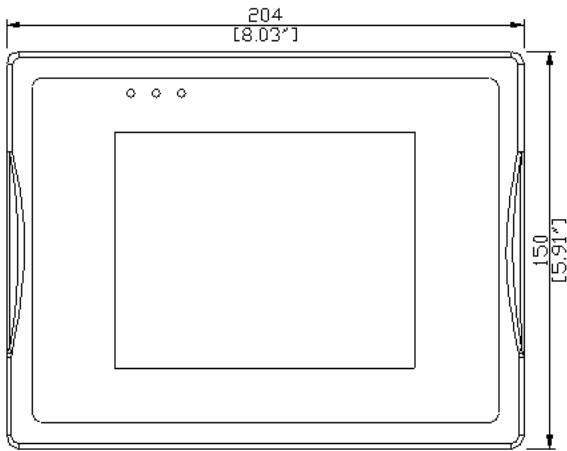
◆ Touchscreen

- **Type:** 4-wire, analog resistive
- **Resolution:** continuous
- **Light transmission:** above 80%
- **Life:** 1 million activation minimum

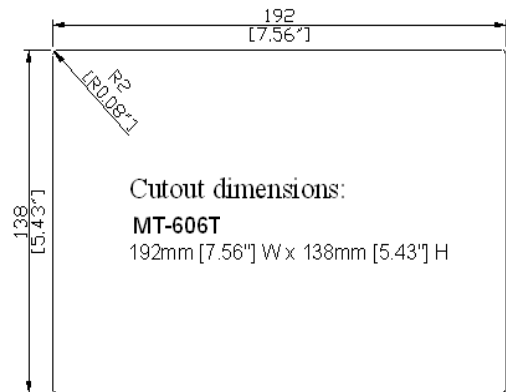
◆ Environmental Specifications

- **Operating temperature:** -10° ~ 45°C (14° ~ 113°F)
- **Relative humidity:** 10% ~ 90% @ 40°C, non-condensing
- **Shock (operation):** 10 to 25Hz(X,Y,Z direction 2G 30minutes)
- **EMI:** Complies with FCC class A
- **CE:** Complies with EN50081-2 and EN50082-2 standards
- **Front panel meets NEMA4 / IP65**

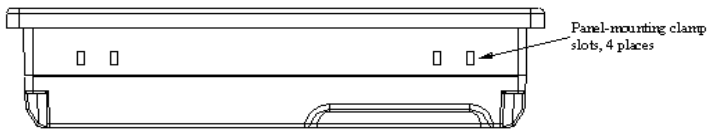
◆ Dimensions Drawing



Front View

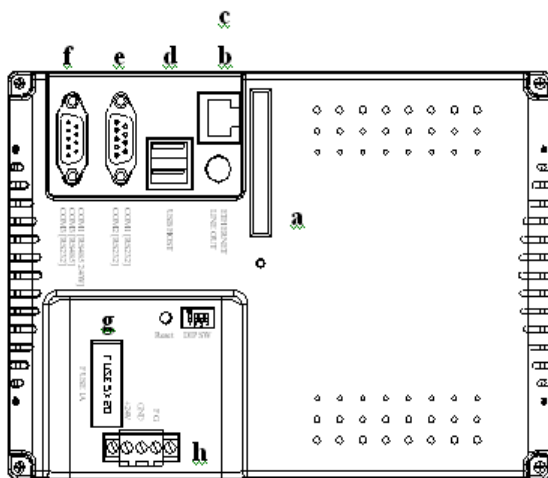
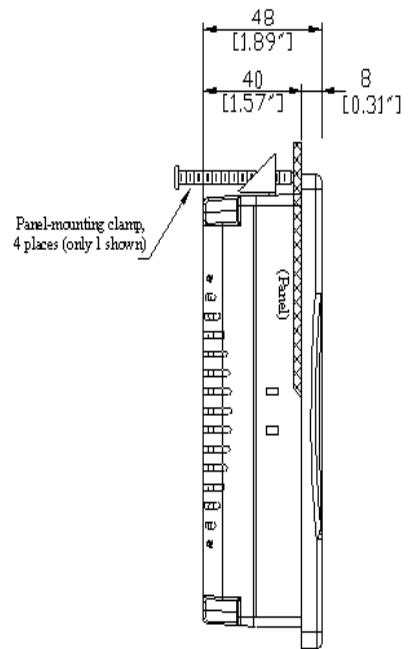


Cutout dimensions:
MT-606T
 192mm [7.56"] W x 138mm [5.43"] H



Bottom View

Side View



Rear View

a	CompactFlash™ slot	e	Com1[232], Com2[232]
b	Sound ports	f	Com1[422/485], Com3[485]
c	Ethernet port (RJ-45)	g	Fuse
d	USB Host	h	Power connector

Ordering Information

□ **MT606TV3:**

5.6" TFT LCD display touch panel computer with EP9315 200MHz ARM920T processor, 32MB flash memory/64MB DRAM on board and Windows CE.net 5.0 English Professional version.

□ **PS506:**

MT506/606 Protective Sheet 5 sheets per package.
